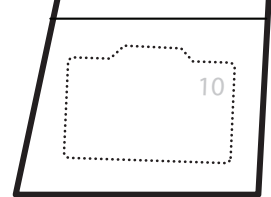
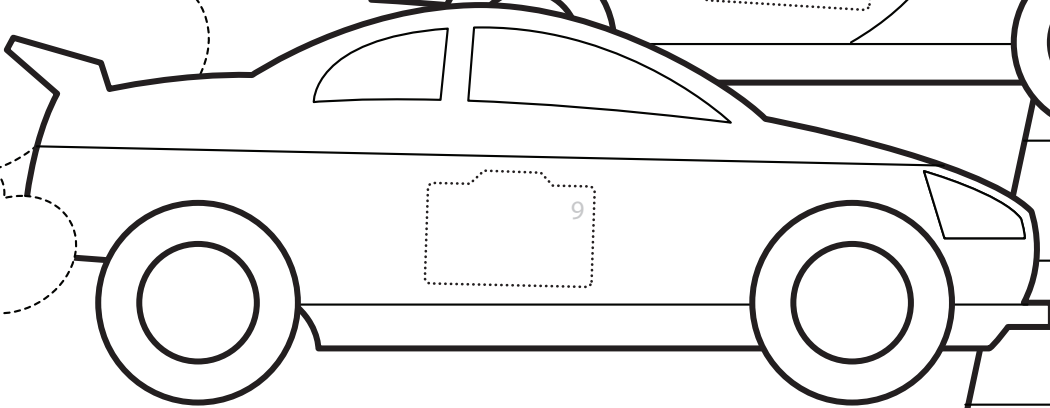
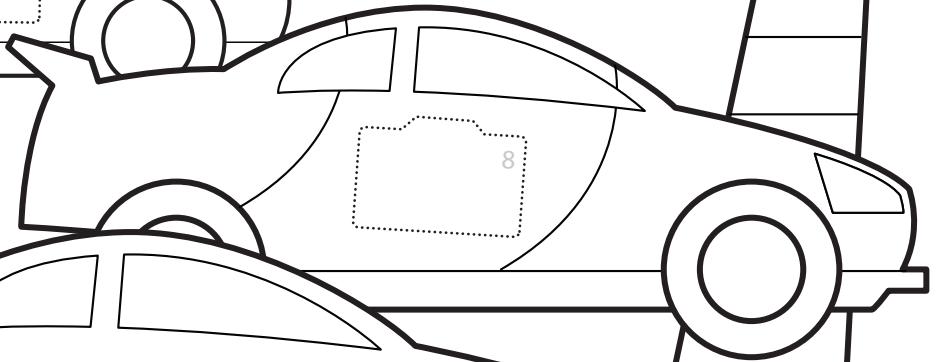
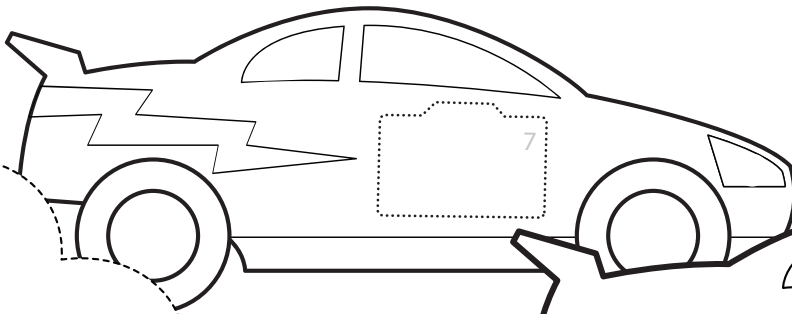
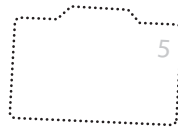
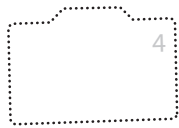
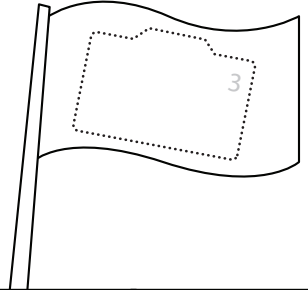
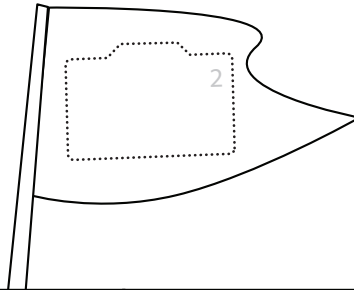
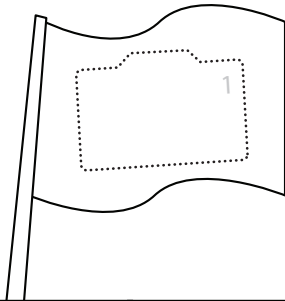




It's a race! Fill this sheet with Box Tops and be the first to cross the finish line.



FINISH

Name

Grade

Teacher's Name

Thank you for helping! Every Box Top you collect is worth 10¢ for your school.
For more collection worksheets and projects, go to www.boxtops4education.com/activitycenter